

Specialists in Gravimetric Blending & Controls

OPTIEX

Gravimetric Batch Blender with
Loss-in-Weight Extrusion
Control



TSM

Benefits

- Fast, Accurate Control Response
- High Accuracy Dispensing up to 0.01% of Batch
- Fast Throughput Measurement
- Instantaneous Response to Process Disturbances
- Superior Weighing & Mixing
- Accuracy up to +/- 0.5% of target setpoint

User Interface

- Intuitive simple Operator Functionality
- Comprehensive Report/Alarm Management
- Built-in Trending & Data History Management
- Industry Standard Communication Protocols

Opti-Ex Options

- Extrusion Yield Control
- Integrated Material Handling
- Micro -Dose Additive Feeder
- Material Bypass

OPTI-EX range of Extrusion Control applications represent TSM's next generation blending technology, providing superior accuracies, blend ratios and mixing homogeneity not achievable by competitive systems. OPTI-EX blenders utilize TSM slide valve design and patented reverse-flight auger mixing technology combined with continuous Loss-in-Weight measurement. TSM's extrusion control blenders combine in a unique way, accurate gravimetric batch blending with integrated extrusion control using Loss-in-Weight techniques. This results in exceptional, ultra fast through-put measurement and control of the extrusion process. OPTI-EX range can accommodate up to twelve components at throughputs up to 1300kg (2900 lbs) / hour).



Specialists in Gravimetric Blending & Controls

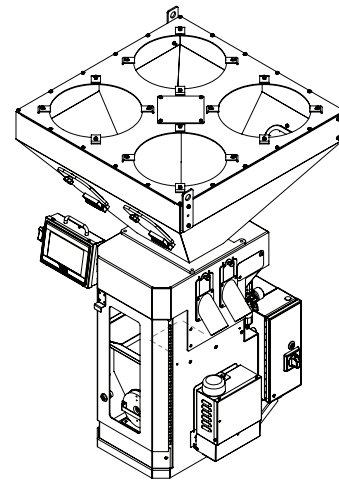
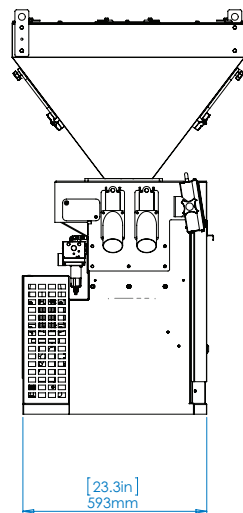
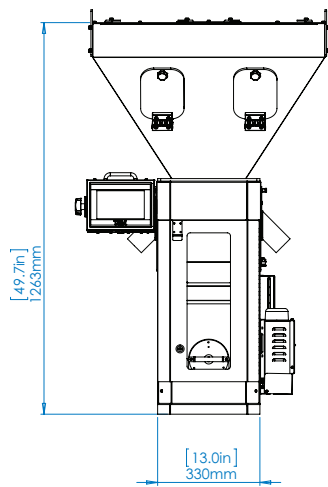
OPTIEX

Multi Component Gravimetric Batch Blender for EXTRUSION Control

| OPTI-EXT RANGE | THROUGHPUT |
|----------------|-------------------------|
| OPTI-EX 100 | 100 kg (220 lbs) / hour |
| OPTI-EX 200 | 200kg (440 lbs) / hour |
| OPTI-EX 400 | 400kg (880lbs) / hour |
| OPTI-EXT 800 | 800kg (1800lbs) / hour |
| OPTI-EX 1300 | 1300kg (2900lbs) / hour |

Environmental

| | | |
|----------------------------|-----------|------------|
| Blender Weight | (kg / lb) | 130 / 286 |
| Max Material Temp | (°C / °F) | 70 / 158 |
| Max Optional Material Temp | (°C / °F) | 130 / 266 |
| Mix Chamber Discharge Hole | (mm / ") | 63.5 / 2.5 |



European Office

TSM
Ard Easmuinn, Dundalk,
Co. Louth, Ireland.

Tel: +353-42-9335560
Fax: +353-42-9334422

General Info:
Info@tsm-controls.com
Sales:
sales@tsm-controls.com
Support:
service@tsm-controls.com

North America Regional Office

TSM Inc.
5950-L Shiloh Road East,
Alpharetta, GA 30005, USA.

Tel: (770)886-6630
Fax: (770)886-2395

General Info:
Info@us.tsm-controls.com
Sales:
sales@us.tsm-controls.com
Support:
service@us.tsm-controls.com

Asia-Pacific Regional Office

TSM Taiwan
Siangshang Street
Taichung City, Taiwan,

Tel: +886-4-24728185
Fax: +886-4-24728180

General Info:
info@tsm-controls.com.tw
Sales:
sales@tsm-controls.com.tw
Support:
service@tsm-controls.com.tw

China Regional Office

TSM China
Office Tower, China Hotel
122 Liuhua Road, Guangzhou, China

Tel: +86-20-86266016
Fax: +86-20-86266015

General Info:
china@tsm-controls.com
Sales:
china@tsm-controls.com
Support:
china@tsm-controls.com