

Specialists in Gravimetric Blending & Controls

OPTIMIX 1500

Advanced Dosing Solutions

TSM



Benefits

- Faster Product Changes
- Continuous Homogeneous Mixing
- Increased Regrind Usage
- Product Consistency
- High Accuracy Dispensing up to 0.01% of batch

User Interface

- Intuitive Simple Operator Functionality
- Comprehensive Report/Alarm Management
- Built-in Trending & Data History Management
- Industry Standard Communication Protocols

1500 OPTIONS

- Extrusion Control
- Powder Dosing
- Flange Adapters
- Offline Blending
- Automatic Cleaning
- Integrated Material Handling

OPTI-MIX 1500 Batch Blender can accommodate up to eight components while providing throughput rates up to 1500 kg/hr (3300lb/hr). OPTI-MIX 1500 utilizes TSM slide valve design and the patented reverse-flight auger mixing technology. This combination provides superior accuracies, blend ratios and mixing homogeneity that is not achievable by competitive systems. All components are blended by weight based on the preset blend ratios entered on the touch screen. Each component is metered separately into a single weigh hopper, which measures and controls their percentage.



Specialists in Gravimetric Blending & Controls

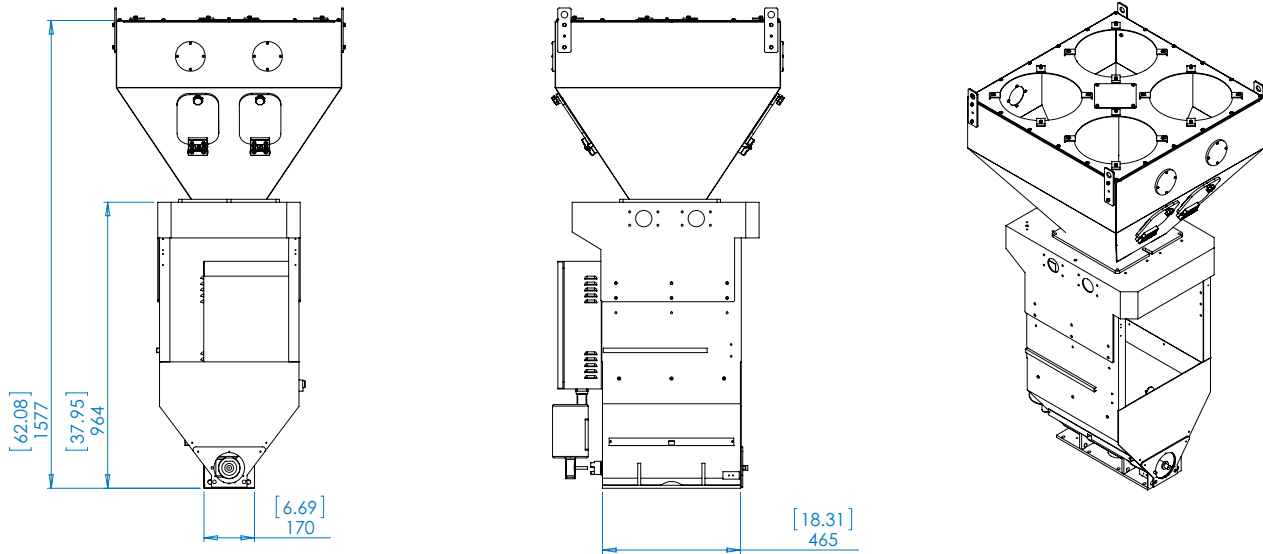
OPTIMIX 1500

Advanced Dosing Solutions

BLENDER MODEL	STD. NO. OF COMPONENTS	MAXIMUM NO. OF COMPONENTS	STD. BATCH SIZE	STD. UNIT THROUGHPUT	EASY DRAIN	MAX. NO. OF SIDE FEEDERS	MAX MIGRA-DOSE SIDE FEEDERS	MAX POWDER SIDE FEEDER (SEE NOTES)	MAX AUGER SIDE FEEDERS	LIQUID DOSING SIDE FEEDER	INTERNAL AUTO-CLEAN	BIN BLOW DOWN/AUTO-CLEAN	MATERIAL BYPASS CLEAN	AUTO EASY-DRAIN	AUTO EASY DRAIN
OPTI-MIX 1500 EASY DRAIN	6	8	12kg	3300 lb/hr / 1500 kg/hr	Yes	2	2	N/A	N/A	Opt	Opt	Opt	Opt	Opt	Opt
OPTI-MIX 1500 3"/4"	4	8	12kg	3300 lb/hr / 1500 kg/hr	No	4	4	2	4	Opt	Opt	Opt	Opt	N/A	N/A

Environmental

Blender Weight	(kg / lb)	180 / 396
Max Material Temp	(°C / °F)	70 / 158
Max Optional Material Temp	(°C / °F)	130 / 266
Mix Chamber Discharge Hole	(mm / ")	102 / 4



European Office

TSM
Ard Easmuinn, Dundalk,
Co. Louth, Ireland.

Tel: +353-42-9335560
Fax: +353-42-9334422

General Info:
Info@tsm-controls.com
Sales:
sales@tsm-controls.com
Support:
service@tsm-controls.com

North America Regional Office

TSM Inc.
5950-L Shiloh Road East,
Alpharetta, GA 30005, USA.

Tel: (770)886-6630
Fax: (770)886-2395

General Info:
Info@us.tsm-controls.com
Sales:
sales@us.tsm-controls.com
Support:
service@us.tsm-controls.com

Asia-Pacific Regional Office

TSM Taiwan
Siangshang Street
Taichung City, Taiwan,

Tel: +886-4-24728185
Fax: +886-4-24728180

General Info:
info@tsm-controls.com.tw
Sales:
sales@tsm-controls.com.tw
Support:
service@tsm-controls.com.tw

China Regional Office

TSM China
Office Tower, China Hotel
122 Liuhua Road, Guangzhou, China

Tel: +86-20-86266016
Fax: +86-20-86266015

General Info:
china@tsm-controls.com
Sales:
china@tsm-controls.com
Support:
china@tsm-controls.com