

Specialists in Gravimetric Blending & Controls

# OPTIMIX 650

Advanced Dosing Solutions

# TSM



## Benefits

- Faster Product Changes
- Continuous Homogeneous Mixing
- Increased Regrind Usage
- Product Consistency
- High Accuracy Dispensing up to 0.01% of batch

## User Interface

- Intuitive Simple Operator Functionality
- Comprehensive Report/Alarm Management
- Built-in Trending & Data History Management
- Industry Standard Communication Protocols
- Material Usage / Inventory Statistics & Reports

## 650 OPTIONS

- Powder Dosing
- Extrusion Control
- Flange Adapters
- Offline Blending
- Automatic Cleaning
- Integrated Material Handling

**OPTI-MIX 650** Batch Blender can accommodate up to six material components while providing throughput rates up to 650 kg/hr (1400lb/hr). OPTI-MIX 650 utilizes TSM slide valve design and patented reverse-flight auger mixing technology. This combination provides superior accuracies, blend ratios and mixing homogeneity that is not achievable by competitive systems. All components are blended by weight, based on the preset blend ratios entered on the touch screen. Each component is metered separately into a single weigh hopper, which measures and controls their percentage.



Specialists in Gravimetric Blending & Controls

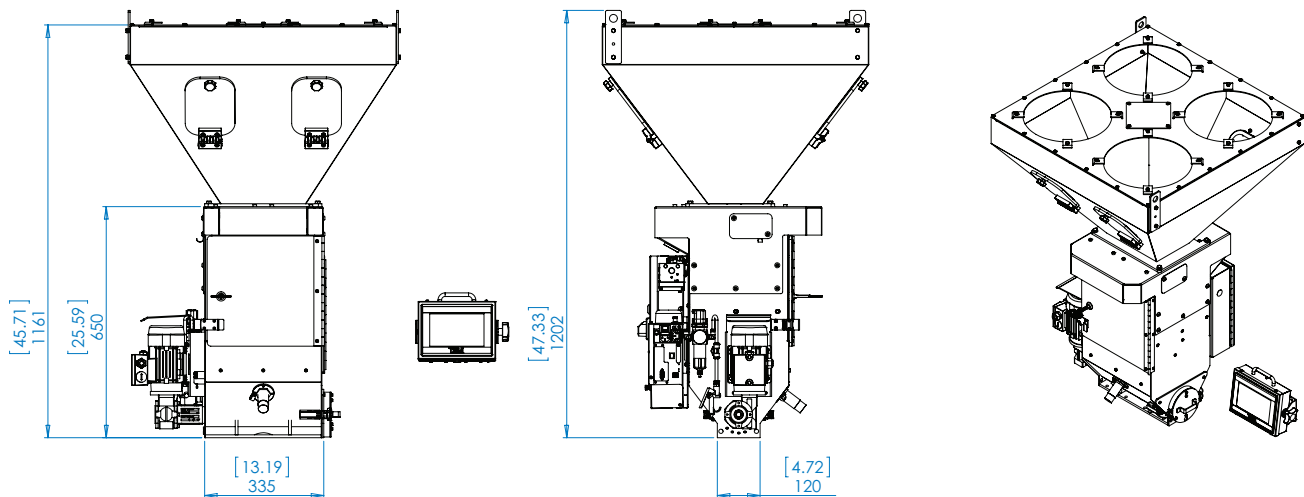
# OPTIMIX 650

## Advanced Dosing Solutions

BLENDER MODEL	STD. NO. OF COMPONENTS	MAXIMUM NO. OF COMPONENTS	STD. BATCH SIZE	STD. LIMIT THROUGHPUT	EASY DRAIN	MAX. NO. OF SIDE FEEDERS	MAX MICRA-DOSE SIDE FEEDERS	MAX POWDER SIDE FEEDER (SEE NOTES)	MAX AUGER SIDE FEEDERS	LIQUID DOSING SIDE FEEDER	INTERNAL AUTO-CLEAN	BIN BLOW-DOWN AUTO-CLEAN	MATERIAL BYPASS AUTO-CLEAN	AUTO-EASY-DRAIN
OPTI-MIX 650	4	6	4kg	1400 lb/hr / 650 kg/hr	No	2	2	2	2	Opt	Opt	Opt	Opt	N/A
OPTI-MIX 650 EASY DRAIN	4	6	4kg	1400 lb/hr / 650 kg/hr	Yes	2	2	N/A	N/A	Opt	Opt	Opt	Opt	Opt

### Environmental

Blender Weight	(kg / lb)	130 / 286
Max Material Temp	(°C / °F)	70 / 158
Max Optional Material Temp	(°C / °F)	130 / 266
Mix Chamber Discharge Hole	(mm / ")	63.5 / 2.5



#### European Office

**TSM**  
Ard Easmuinn, Dundalk,  
Co. Louth, Ireland.

**Tel:** +353-42-9335560  
**Fax:** +353-42-9334422

**General Info:**  
Info@tsm-controls.com  
**Sales:**  
sales@tsm-controls.com  
**Support:**  
service@tsm-controls.com

#### North America Regional Office

**TSM Inc.**  
5950-L Shiloh Road East,  
Alpharetta, GA 30005, USA.

**Tel:** (770)886-6630  
**Fax:** (770)886-2395

**General Info:**  
Info@us.tsm-controls.com  
**Sales:**  
sales@us.tsm-controls.com  
**Support:**  
service@us.tsm-controls.com

#### Asia-Pacific Regional Office

**TSM Taiwan**  
Siangshang Street  
Taichung City, Taiwan,

**Tel:** +886-4-24728185  
**Fax:** +886-4-24728180

**General Info:**  
info@tsm-controls.com.tw  
**Sales:**  
sales@tsm-controls.com.tw  
**Support:**  
service@tsm-controls.com.tw

#### China Regional Office

**TSM China**  
Office Tower, China Hotel  
122 Liuhua Road, Guangzhou, China

**Tel:** +86-20-86266016  
**Fax:** +86-20-86266015

**General Info:**  
china@tsm-controls.com  
**Sales:**  
china@tsm-controls.com  
**Support:**  
china@tsm-controls.com