

Specialists in Gravimetric Blending & Controls

OPTIMIX 3000

Advanced Dosing Solutions

TSM



Benefits

- Faster Product Changes
- Continuous Homogeneous Mixing
- Increased Regrind Usage
- Product Consistency
- High Accuracy Dispensing up to 0.01% of batch

User Interface

- Operator Functionality
- Comprehensive Report/Alarm Management
- Built-in Trending & Data History Management
- Industry Standard Communication Protocols

3000 OPTIONS

- Powder Dosing
- Flange Adapters
- Offline Blending
- Automatic Cleaning
- Integrated Material Handling

OPTI-MIX 3000 Batch Blender can accommodate up to twelve components while providing throughput rates up to 3000kg/hr (6,600lb/hr). OPTI-MIX 3000 utilizes TSM slide valve design and the patented reverse-flight auger mixing technology. This combination provides superior accuracies, blend ratios and mixing homogeneity that sets a new standard for the industry. All components are blended by weight, based on the preset blend ratios entered on the touch screen. Each component is metered separately into a single weigh hopper, which measures and controls their percentage.



Specialists in Gravimetric Blending & Controls

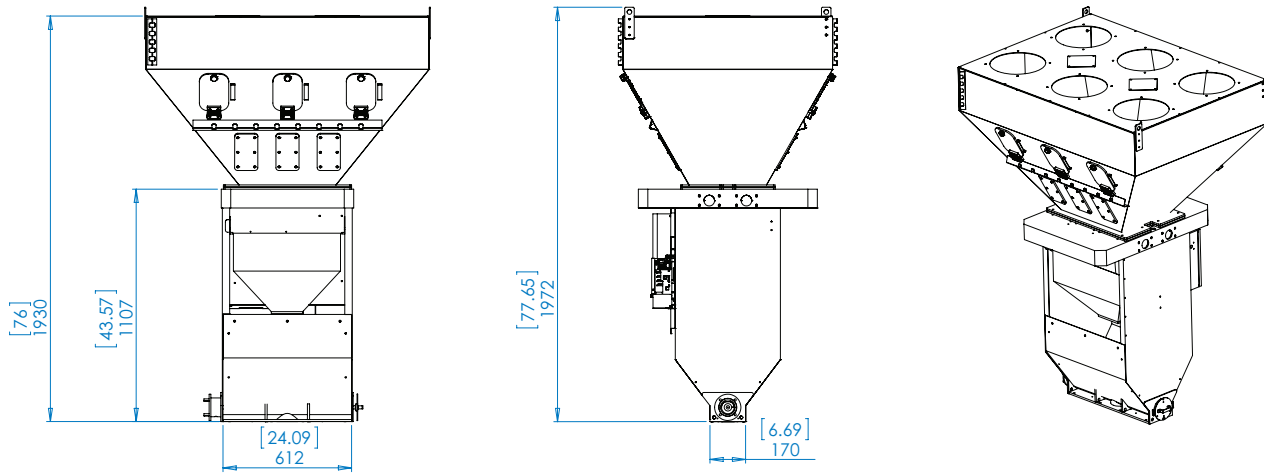
OPTIMIX 3000

Advanced Dosing Solutions

BLENDER MODEL	STD. NO. OF COMPONENTS	MAXIMUM NO. OF COMPONENTS	STD. BATCH SIZE	STD. UNIT THROUGHPUT	EASY DRAIN	MAX. NO. OF SIDE FEEDERS	MAX. MICRA-DOSE SIDE FEEDERS	MAX. POWDER SIDE FEEDER (SEE NOTES)	MAX. AUGER SIDE FEEDERS	LIQUID DOSING SIDE FEEDER	INTERNAL AUTO-CLEAN	BIN BLOW DOWN AUTO-CLEAN	MATERIAL BYPASS AUTO-CLEAN	AUTO-EASY-DRAIN
OPTI-MIX 3000 8C	8	12	25kg	6600 lb/hr / 3000 kg/hr	No	4	4	2	4	Opt	Opt	Opt	Opt	N/A
OPTI-MIX 3000 6C	6	10	25kg	6600 lb/hr / 3000 kg/hr	No	4	4	2	4	Opt	Opt	Opt	Opt	N/A

Environmental

Blender Weight	(kg / lb)	225 / 495
Max Material Temp	(°C / °F)	70 / 158
Max Optional Material Temp	(°C / °F)	130 / 266
Mix Chamber Discharge Hole	(mm)	102 / 4



European Office

TSM
Ard Easmuinn, Dundalk,
Co. Louth, Ireland.

Tel: +353-42-9335560
Fax: +353-42-9334422

General Info:
Info@tsm-controls.com
Sales:
sales@tsm-controls.com
Support:
service@tsm-controls.com

North America Regional Office

TSM Inc.
5950-L Shiloh Road East,
Alpharetta, GA 30005, USA.

Tel: (770)886-6630
Fax: (770)886-2395

General Info:
Info@us.tsm-controls.com
Sales:
sales@us.tsm-controls.com
Support:
service@us.tsm-controls.com

Asia-Pacific Regional Office

TSM Taiwan
Siangshang Street
Taichung City, Taiwan,

Tel: +886-4-24728185
Fax: +886-4-24728180

General Info:
info@tsm-controls.com.tw
Sales:
sales@tsm-controls.com.tw
Support:
service@tsm-controls.com.tw

China Regional Office

TSM China
Office Tower, China Hotel
122 Liuhua Road, Guangzhou, China

Tel: +86-20-86266016
Fax: +86-20-86266015

General Info:
china@tsm-controls.com
Sales:
china@tsm-controls.com
Support:
china@tsm-controls.com