

Specialists in Gravimetric Blending & Controls

OPTIYIELD

Extrusion Control
Loss-in-Weight Hopper



Benefits

- No Material Separation or De-mixing
- Precise control to Target Setpoint
- Starve-fed or Flood-fed Applications
- Gravity Fed Main Component allows Recipe Changes "On-the-Fly" with minimal waste
- Easily Removable, Easy Clean Weigh Hopper

User Interface

- Intuitive Operator Functionality
- Comprehensive Report and Alarm Management
- Built-in Accuracy Trending & Data History Management
- Industry Standard Communication Protocols

Options

- Liquid Additive Control
- Extruder lb/hr Control
- Weight per Length Control
- Average Thickness Control

TSM's OPTI-YIELD range of Loss-in-Weight systems offer precise measurement, total reliability and advanced extrusion control options to ensure consistent end product quality with reduced material usage. The Opti-Yield system provides continuous throughput measurement and automatic throughput control.

Haul off speed measurement can be added to ensure that the Weight per Length is controlled to the desired specification (yield control). This ensures that the product being produced is maintained at the desired average thickness or unit weight without operator intervention. This mode can be extended to weight per area control through entry or automatic measurement of material width.

The TSM OPTI-YIELD provides an extremely reliable, robust and precise solution for gravimetric extrusion control. The material is gravity fed directly to the extruder throat and can operate in starve or flood fed applications.



OPTIYIELD

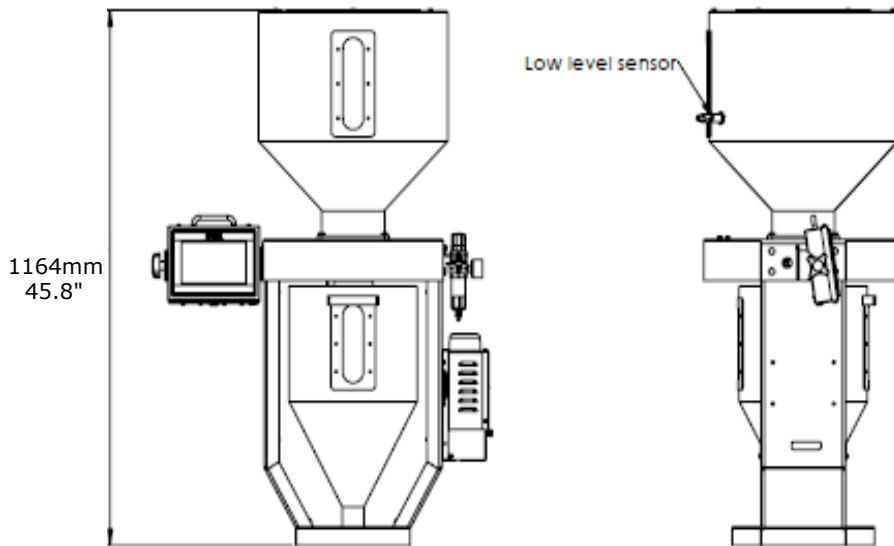
Extrusion Control Loss-in-Weight Hopper

OPTI-YIELD RANGE	THROUGHPUT
OPTI-YIELD 200	200 Kg/hr - 440 lb/hr
OPTI-YIELD 400	400 Kg/hr - 880 lb/hr
OPTI-YIELD 1000	1000 Kg/hr - 2200 lb/hr

Environmental

System Weight	(kg / lb)	80 / 176
Max Ambient Operating Temp	(°C / °F)	50 / 122
Max Material Temp	(°C / °F)	70 / 158
Max Optional Material Temp	(°C / °F)	130 / 266

OPTI-YIELD 400



European Office

TSM
Ard Easmuinn, Dundalk,
Co. Louth, Ireland.

Tel: +353-42-9335560
Fax: +353-42-9334422

General Info:
Info@tsm-controls.com
Sales:
sales@tsm-controls.com
Support:
service@tsm-controls.com

North America Regional Office

TSM Inc.
5950-L Shiloh Road East,
Alpharetta, GA 30005, USA.

Tel: (770)886-6630
Fax: (770)886-2395

General Info:
Info@us.tsm-controls.com
Sales:
sales@us.tsm-controls.com
Support:
service@us.tsm-controls.com

Asia-Pacific Regional Office

TSM Taiwan
Siangshang Street
Taichung City, Taiwan,

Tel: +886-4-24728185
Fax: +886-4-24728180

General Info:
info@tsm-controls.com.tw
Sales:
sales@tsm-controls.com.tw
Support:
service@tsm-controls.com.tw

China Regional Office

TSM China
Office Tower, China Hotel
122 Liuhua Road, Guangzhou, China

Tel: +86-20-86266016
Fax: +86-20-86266015

General Info:
china@tsm-controls.com
Sales:
china@tsm-controls.com
Support:
china@tsm-controls.com