

# OPTIX

MATERIAL MANAGEMENT  
Blending | Control | Analytics

# TSM

Gravimetric Batch Blender with  
Loss-in-Weight Extrusion Control

*insightready.com*



**OPTIX** range of blenders are specifically designed for Extrusion applications and incorporates patented Insight enabled technology based on Industry 4.0 platform. With enhanced functionality across all aspects providing superior accuracies, blend ratios and mixing homogeneity not achievable by competitive systems. **OPTIX** blenders utilize **TSM** slide valve design and patented reverse-flight auger mixing technology combined with continuous Loss-in-Weight measurement. **TSM**'s extrusion control blenders combine in a unique way, accurate gravimetric batch blending with integrated extrusion control using Loss-in-Weight techniques. This results in exceptional, ultra fast throughput measurement and control of the extrusion process. **OPTIX** range can accommodate up to eight components at throughputs up to 800kg (1760 lbs) / hour).

#### Benefits

- Insight Ready
- Faster Product Changes
- Continuous Homogeneous Mixing
- Product Consistency
- High Accuracy Dispensing up to 0.01% of batch



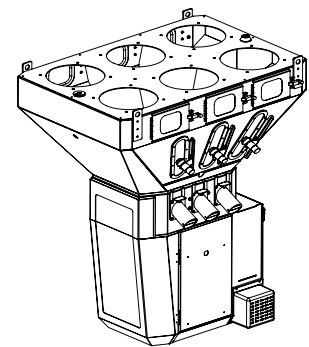
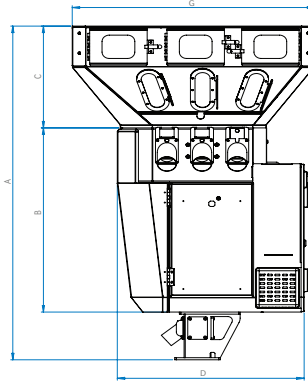
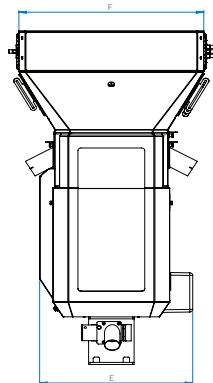
# OPTIX

## Multi Component Gravimetric Batch Blender for EXTRUSION Control

| Characteristics                           | OPTIX 100 | OPTIX 200 | OPTIX 400 | OPTIX 800 |
|---|-----------|-----------|-----------|-----------|
| Reservoir Hopper Volume (L/Compartment)   | 15        | 15        | 23        | 32        |
| Std No. Material Compartments             | 6         | 6         | 6         | 6         |
| Optional Additional Material Compartments | 0         | 2         | 2         | 2         |
| Std Batch Weight Capacity (kg)            | 0.5       | 0.9       | 1.2       | 2         |
| Mixing Motor                              | 1         | 3         | 3         | 3         |
| Motor (hp)                                | 0.25      | 0.25      | 0.25      | 0.25      |
| Motor (kW)                                | 0.18      | 0.18      | 0.18      | 0.18      |
| Blender Weight (kg)                       | 60        | 70        | 75        | 90        |
| Max Material Temp C                       | 70        | 70        | 70        | 70        |
| Max Optional Material Temp C              | 130       | 130       | 130       | 130       |

| Dimensions                    |      |      |      |      |
|-------------------------------|------|------|------|------|
| A Blender Height (mm)         | 1259 | 1328 | 1449 | 1553 |
| B Frame Height (mm)           | 695  | 765  | 765  | 765  |
| C Hopper Bin Height (mm)      | 384  | 384  | 505  | 609  |
| D Blender Side Width (mm)     | 616  | 616  | 616  | 616  |
| E Blender Max Width (mm)      | 505  | 505  | 505  | 505  |
| F Hopper Bin Front Width (mm) | 610  | 610  | 610  | 750  |
| G Hopper Bin Side Width (mm)  | 800  | 800  | 975  | 1129 |

### Standard Dimensions of OPTIX 200



#### European Office (Headquarters)

TSM  
Ard Easmuinn, Dundalk,  
Co. Louth, Ireland.

Tel: +353-42-9335560  
Fax: +353-42-9334422

General Info:  
Info@tsm-controls.com  
Sales:  
sales@tsm-controls.com  
Support:  
service@tsm-controls.com

#### North America Regional Office

TSM Inc.  
1505 Johnson Ferry Road, Suite 125,  
Marietta, GA 30062, USA.

Tel: (770)886-6630  
Fax: (770)886-2395

General Info:  
Info@us.tsm-controls.com  
Sales:  
sales@us.tsm-controls.com  
Support:  
service@us.tsm-controls.com

#### Asia-Pacific Regional Office

TSM Taiwan  
Siangshang Street  
Taichung City, Taiwan.

Tel: +886-4-24728185  
Fax: +886-4-24728180

General Info:  
info@tsm-controls.com.tw  
Sales:  
sales@tsm-controls.com.tw  
Support:  
service@tsm-controls.com.tw

#### China Regional Office

TSM China  
Guangzhou, China

Tel: +86-20-86266016  
Fax: +86-20-86266015

General Info:  
china@tsm-controls.com  
Sales:  
china@tsm-controls.com  
Support:  
china@tsm-controls.com