

Specialists in Gravimetric Blending & Controls

VACUUM RECEIVERS

TSM



As material loading is an integral part of every production process, minimal disruption of material flow with complete control is essential. TSM now offers a range of reliable and user-friendly **Vacuum Receivers** to serve your material handling needs up to 115 ltrs/4cuft.

Benefits

- Low Maintenance Due to Patented Automatic Blow-Back Screen Filter Cleaning
- Stainless Steel Screen Filter
- Stainless Steel Contact Surfaces
- Reliable Material Flow
- 1-year Guarantee
- Quick Release Mechanisms allow Effortless Dismantling
- Variety of Interchangeable Line Size Adaptors
- Separate On/Off Switch
- Inspection Door
- Modular Construction for Maximum Flexibility

User Interface

- Easy installation:
 - No Protruding Parts therefore no Intrusion into Blender Hopper Bins
 - Fully Directional Mounting Flange makes Installation Quick and Simple
- Effortless dismantling:
 - Quick Release Inspection Mechanism for Easy Access
 - Easy Dismantling for Accessing the Material Receiver without Tools
- Easy Cleaning:
 - Automatic Filter Cleaning and Material Blow-Back by Compressed Air Blast
 - Filter can be Replaced in Seconds without Tools

Options

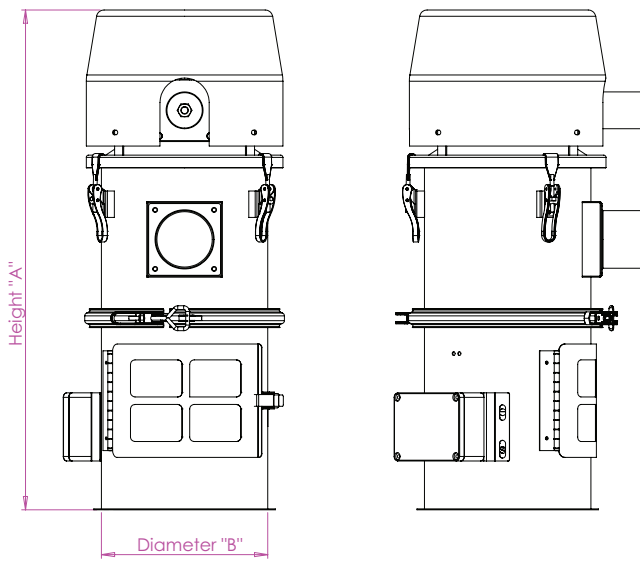
- Stainless Steel Vacuum Manifolds
- Rigid or Soft Anti-Static Tubing 1.5" up to 3.5" Diameter
- Stainless Steel Pick-up wands
- Heavy Duty Vacuum Breaker Valve
- Sequencing Valve



Specialists in Gravimetric Blending & Controls

VACUUM RECEIVERS

| Model | TVR-6 | TVR-10 | TVR-15 | TVR-35 | TVR-50 | TVR-85 | TVR-115 |
|------------------------|-------------------------|----------------------------------|----------------------------------|----------------------------------|----------------------------------|----------------------------------|----------------------------------|
| Capacity (lt/cuft) | 6/0.2 | 10/0.35 | 15/0.5 | 35/1.2 | 35/1.2 | 85/3.0 | 115/4.0 |
| Height 'A' (mm/ins) | 610 | 760 | 790 | 1090 | 1090 | 1150 | 1350 |
| Diameter 'B' (mm/ins) | 260 | 260 | 330 | 330 | 330 | 500 | 500 |
| Weight (kg/lbs) | 8 | 10 | 14 | 18 | 18 | 22 | 23 |
| Pipe Adaptors (mm/ins) | 55 / 63mm 2.0/2.5ins | 55 / 63 / 75mm 2.0/2.5/3.0ins | 55 / 63 / 75mm 2.0/2.5/3.0ins | 55 / 63 / 75mm 2.0/2.5/3.0ins | 55 / 63 / 75mm 2.0/2.5/3.0ins | 55 / 63 / 75mm 2.0/2.5/3.0ins | 55 / 63 / 75mm 2.0/2.5/3.0ins |



European Office

TSM
Ard Easmuinn, Dundalk,
Co. Louth, Ireland.

Tel: +353-42-9335560
Fax: +353-42-9334422

General Info:
Info@tsm-controls.com
Sales:
sales@tsm-controls.com
Support:
service@tsm-controls.com

North America Regional Office

TSM Inc.
5950-L Shiloh Road East,
Alpharetta, GA 30005, USA.

Tel: (770)886-6630
Fax: (770)886-2395

General Info:
Info@us.tsm-controls.com
Sales:
sales@us.tsm-controls.com
Support:
service@us.tsm-controls.com

Asia-Pacific Regional Office

TSM Taiwan
Siangshang Street
Taichung City, Taiwan,

Tel: +886-4-24728185
Fax: +886-4-24728180

General Info:
info@tsm-controls.com.tw
Sales:
sales@tsm-controls.com.tw
Support:
service@tsm-controls.com.tw

China Regional Office

TSM China
Office Tower, China Hotel
122 Liuhua Road, Guangzhou, China

Tel: +86-20-86266016
Fax: +86-20-86266015

General Info:
china@tsm-controls.com
Sales:
china@tsm-controls.com
Support:
china@tsm-controls.com