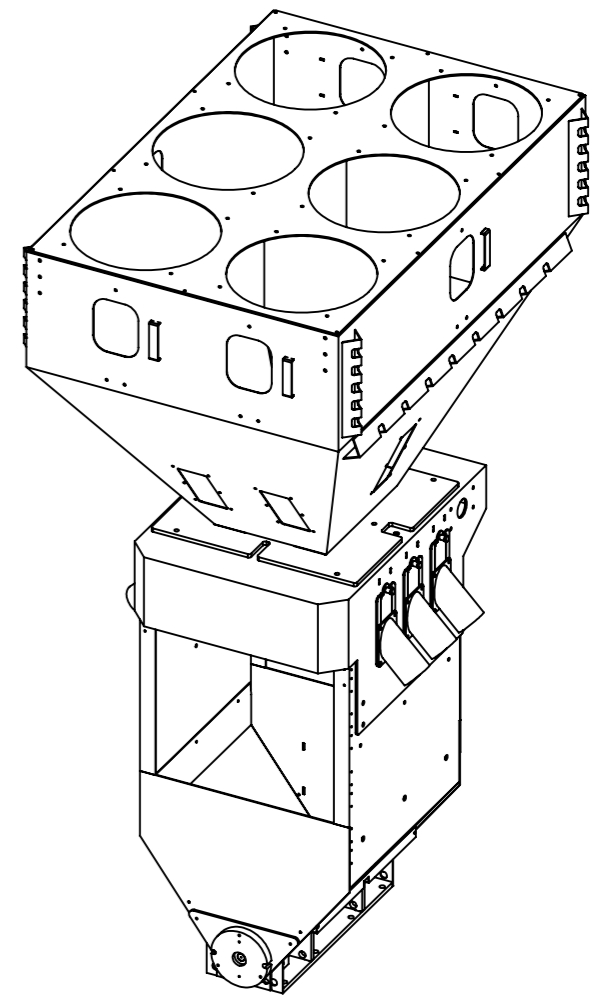
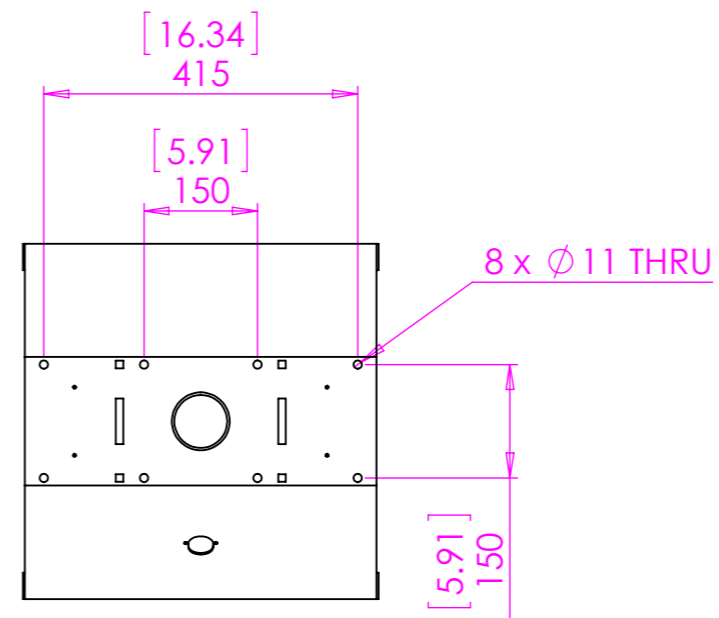
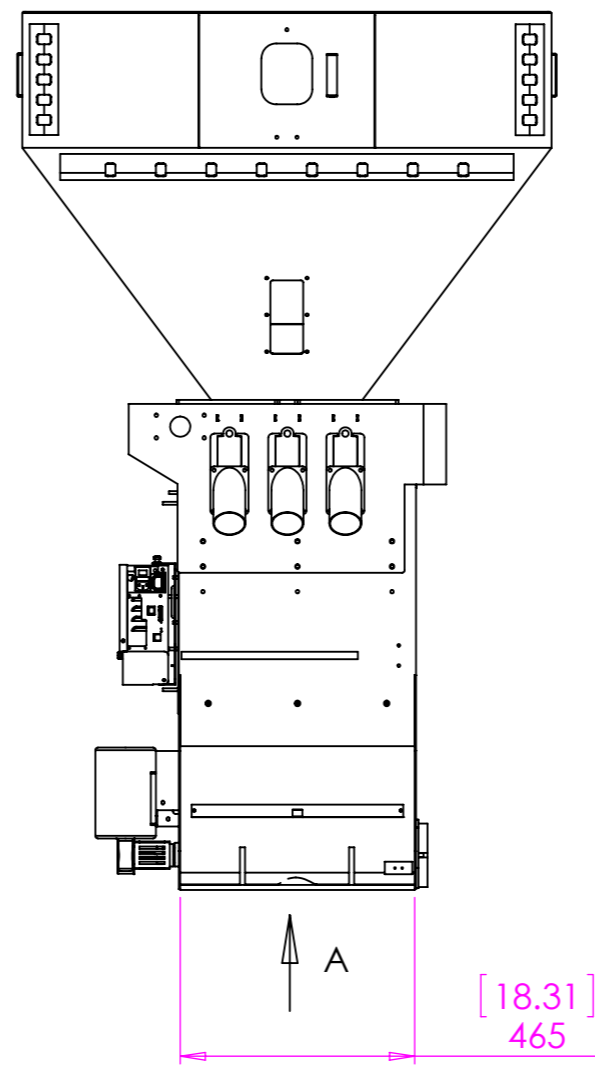
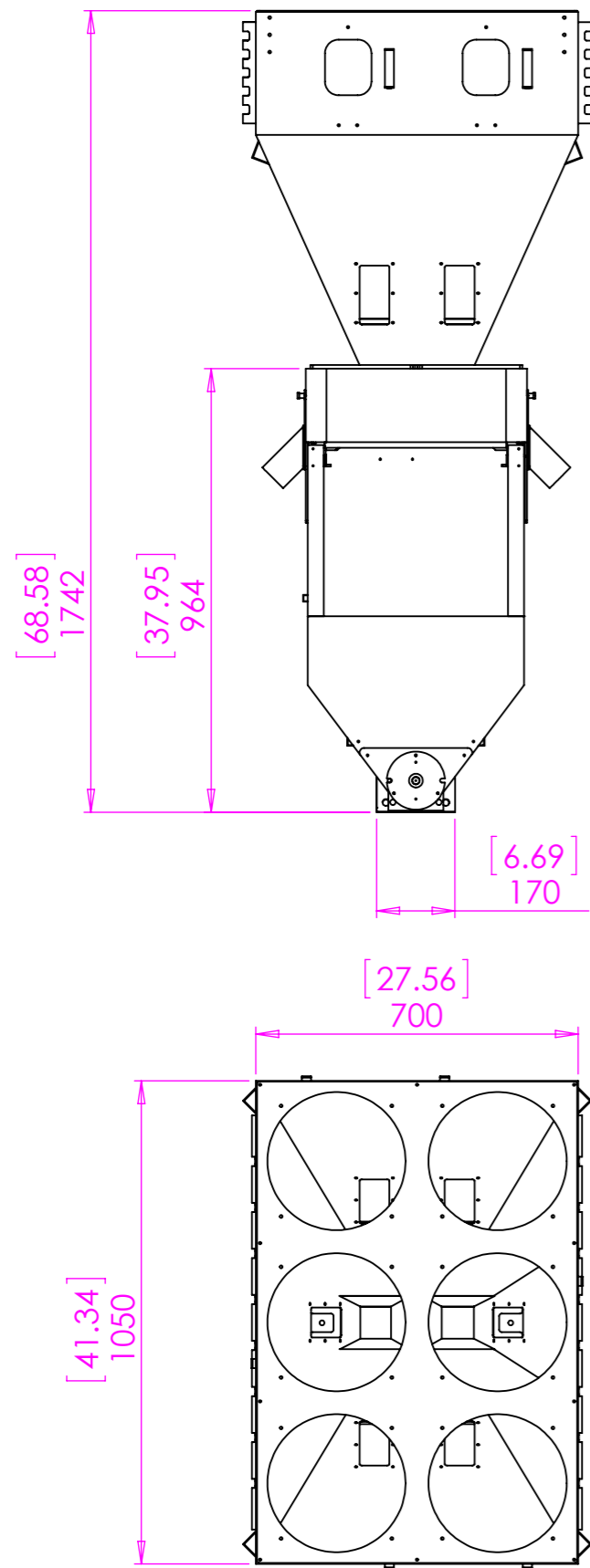


Optimix 1500 6 Compartment Easy Drain



VIEW A
SCALE 1 : 10