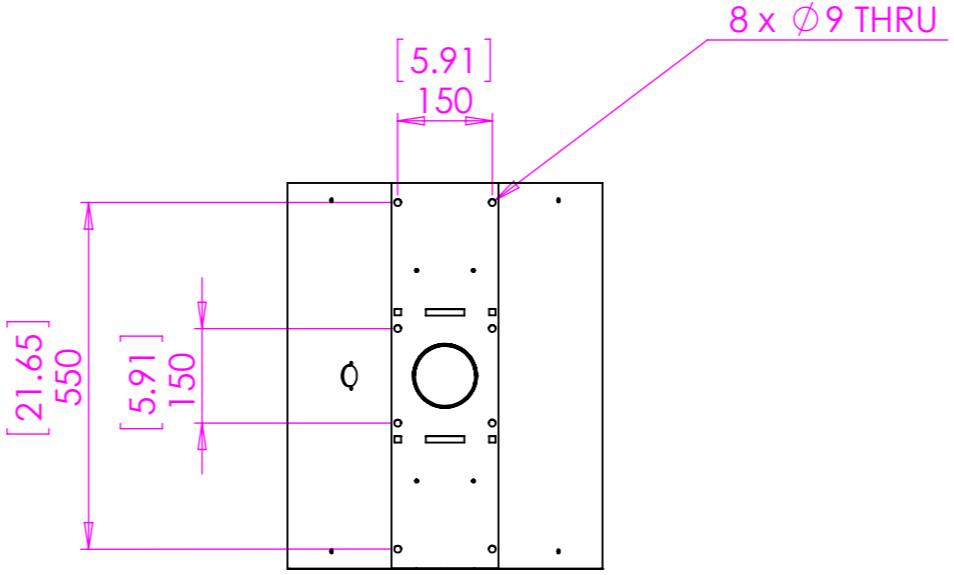
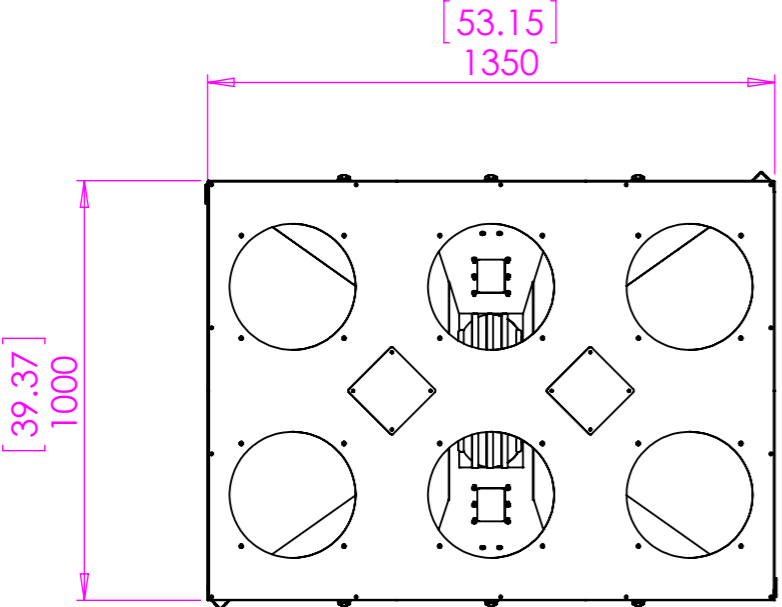
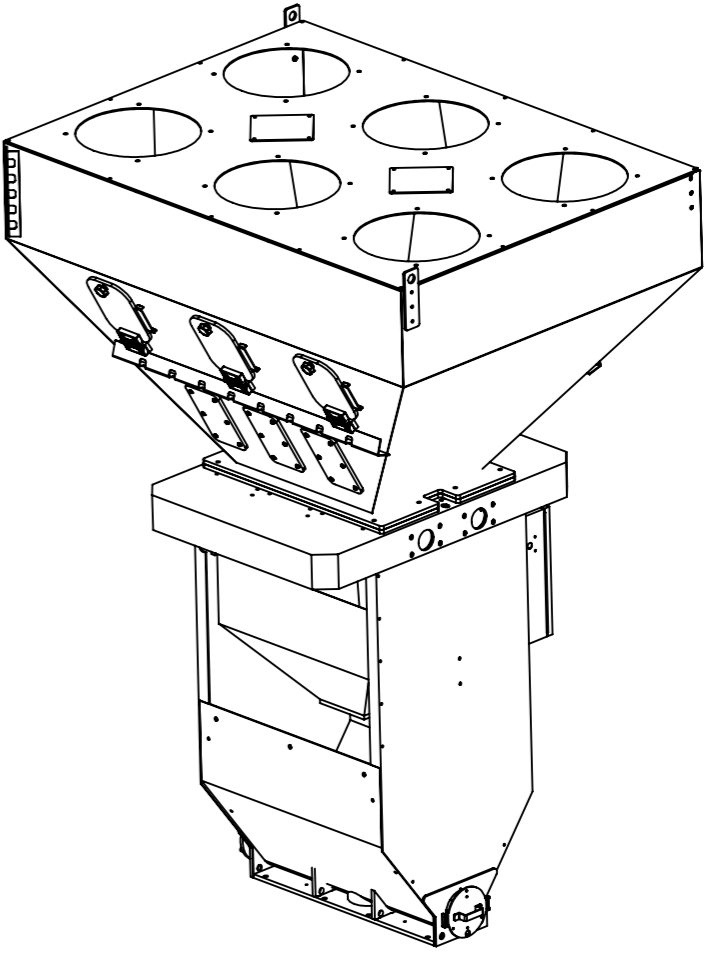
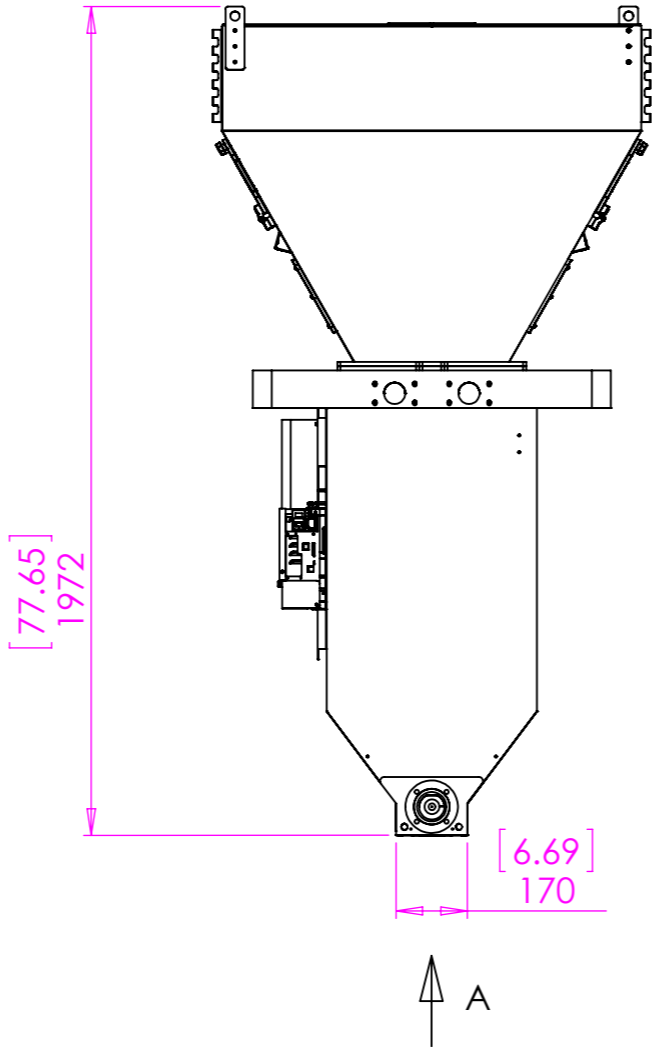
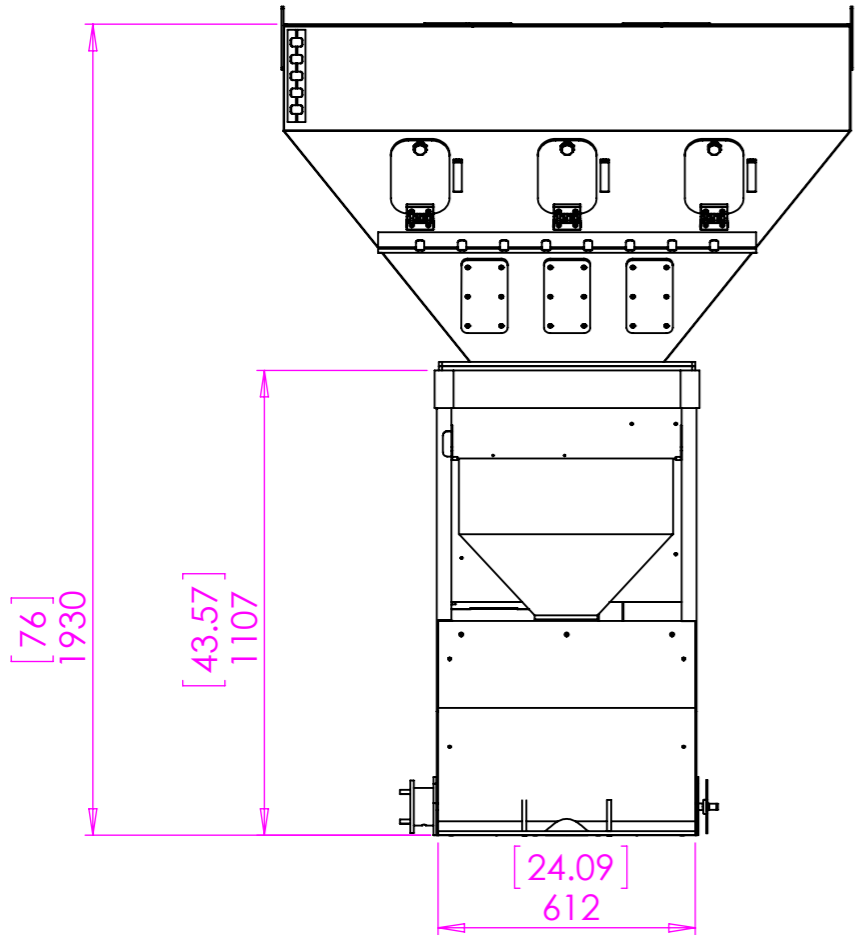


Optimix 3000 6 Compartment



VIEW A
SCALE 1 : 12