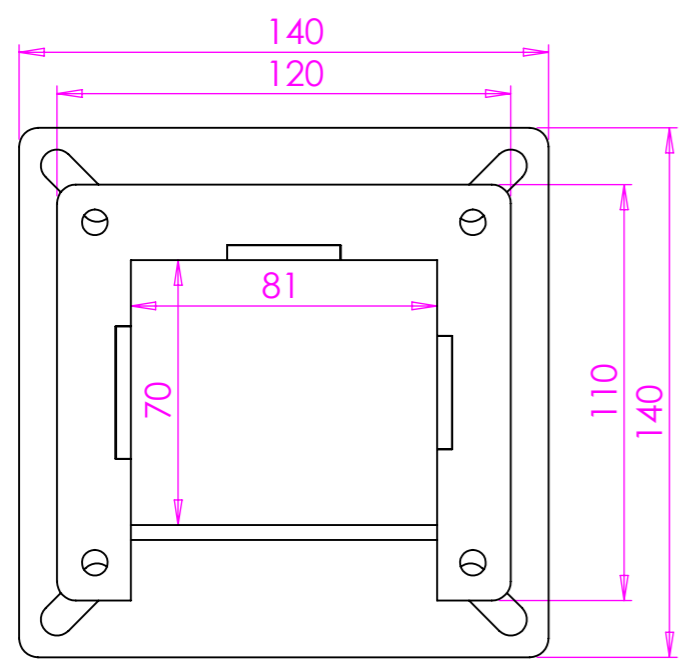
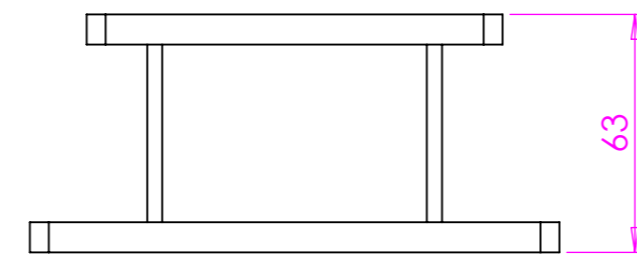
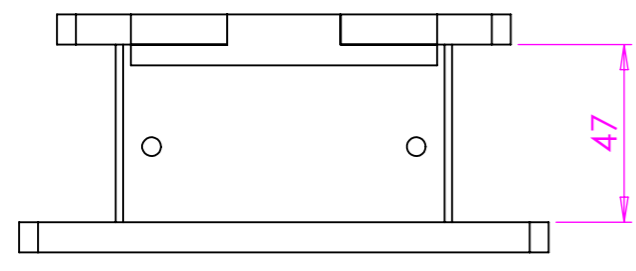
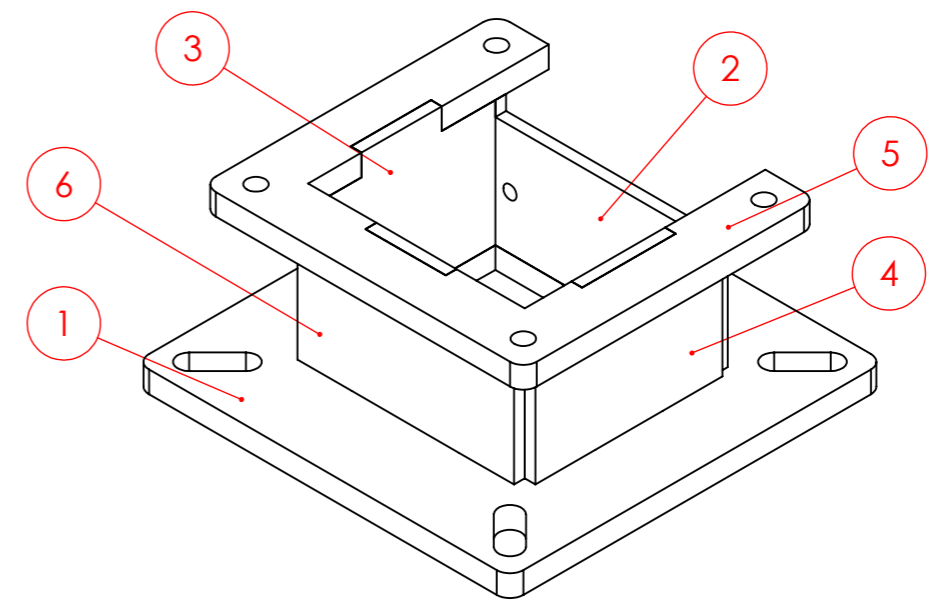


| ITEM NO. | NUMBER | TITLE | QTY. |
|----------|--------|---------------------|------|
| 1 | 4233 | Bottom Flange 4233 | 1 |
| 2 | 4230 | Front Box Wall 4230 | 1 |
| 3 | 4232 | Side Box 4232 | 1 |
| 4 | 4228 | Side Box 4228 | 1 |
| 5 | 2268 | Top Flange 2268 | 1 |
| 6 | 4229 | Back Box Wall 4229 | 1 |



TO BE CONTINUOUSLY WELDED ON OUTSIDE



ISOMETRIC VIEW

| REV. | DESCRIPTION | DATE | APPROVED |
|------|----------------|------------|----------|
| A | Drawing Issued | 05/05/2011 | SB |

| REVISIONS | |
|------------------|----------|
| TITLE: | Revision |
| Type 4 Neck 4231 | A |

| | |
|-------------------------------|--|
| FIRST ANGLE PROJECTION | TSM Control Systems Ltd. The Demesne, Dundalk, Co.Louth, Ireland Tel: +353 42 9335560 Fax: +353 42 9334422 Email: info@tsm-controls.com Web: www.tsm-controls.com |
| MATERIAL: | |
| FINISH: RAL 5010 | DRAWN BY: sbrady |
| WEIGHT: | PRT/ASM NO. 4231 |
| SAP CODE: FLAN-NECK-0024-0000 | SCALE: 1:2 |
| | SHEET 1 OF 1 |
| | SHEET A3 |

INFORMATION SHOWN ON THIS DOCUMENT INCORPORATES PROPRIETARY RIGHTS AND IS NOT TO BE DUPLICATED WHOLLY OR PART WITHOUT THE EXPRESS PERMISSION OF TSM CONTROL SYSTEMS LTD.