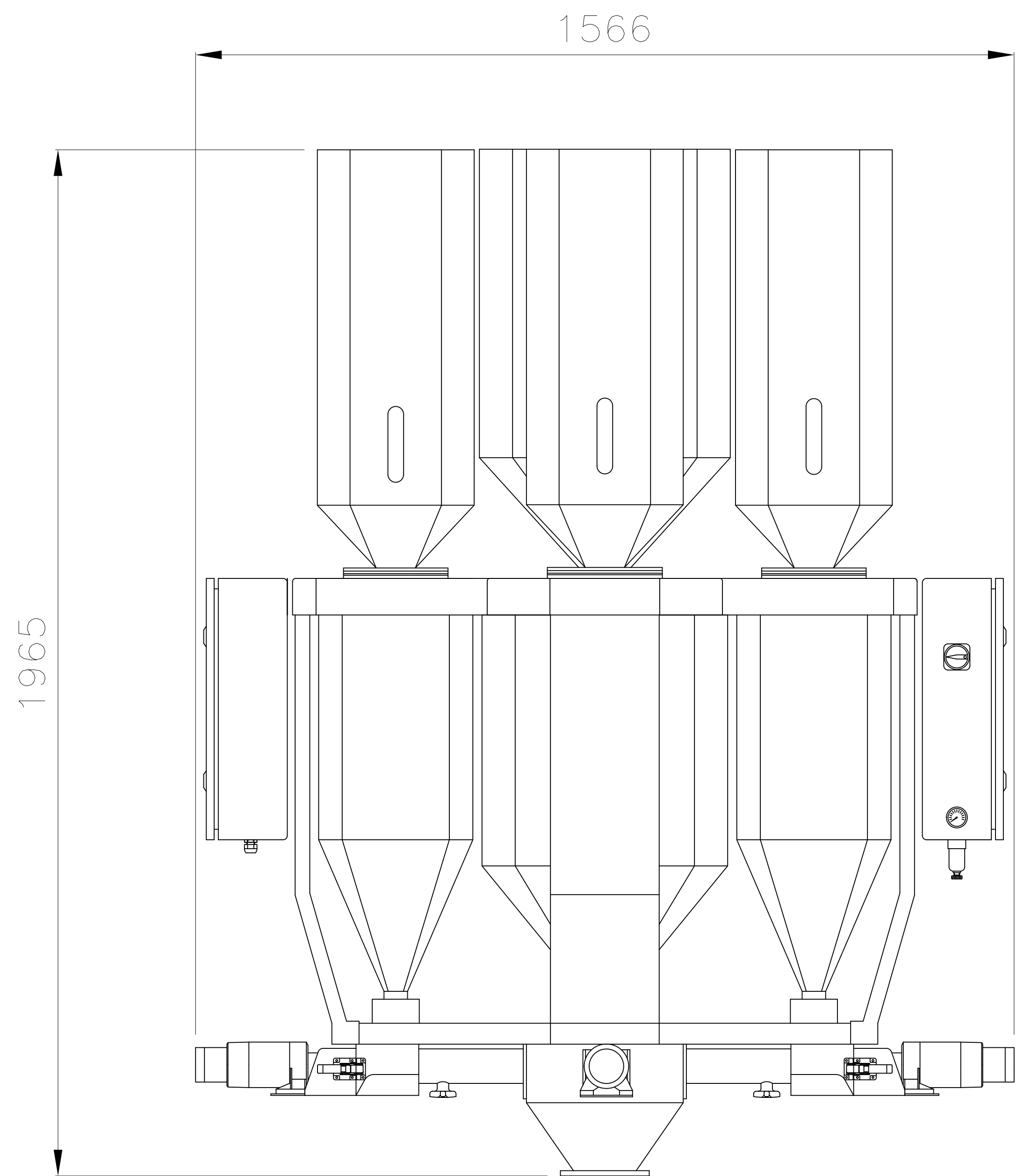
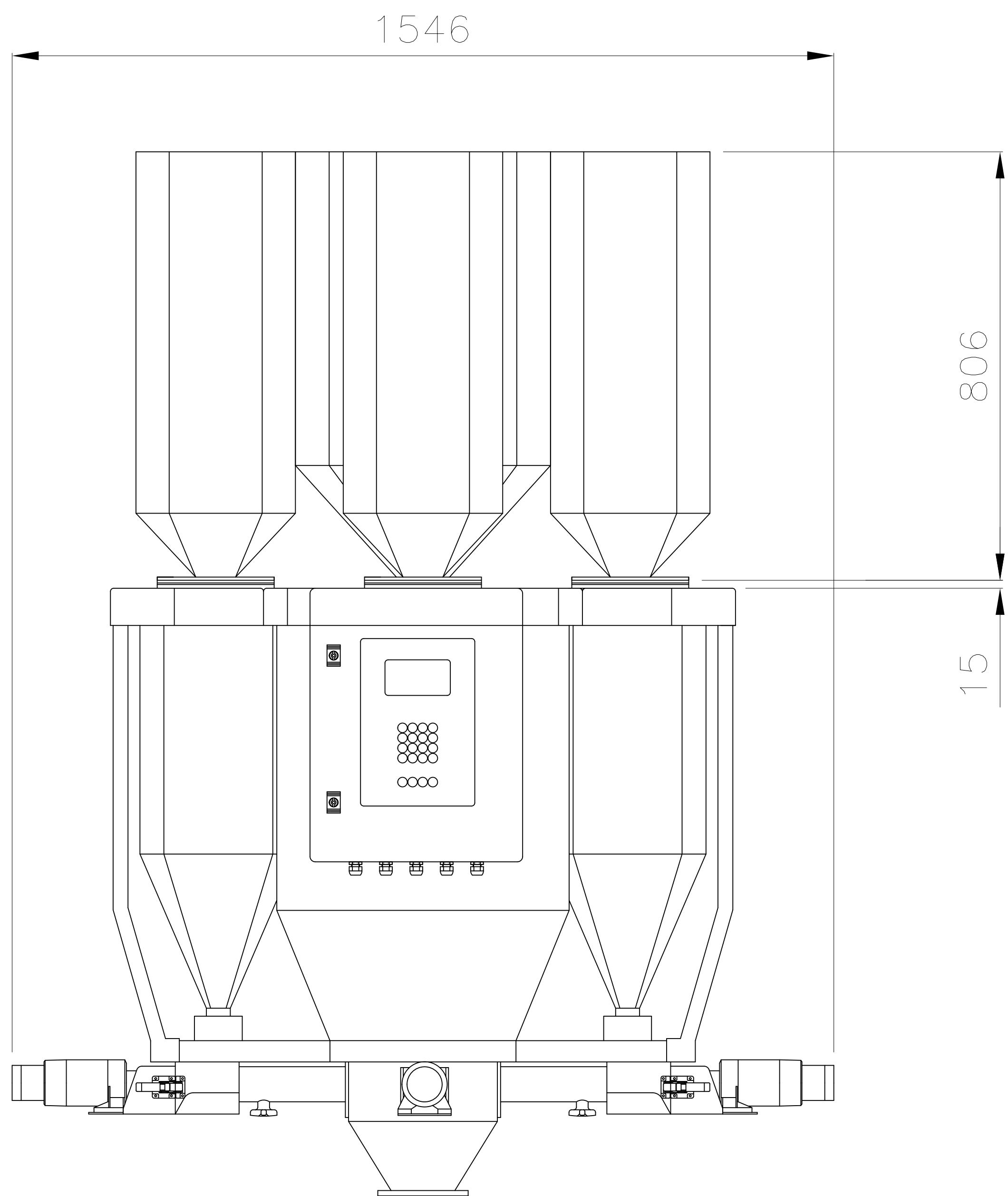


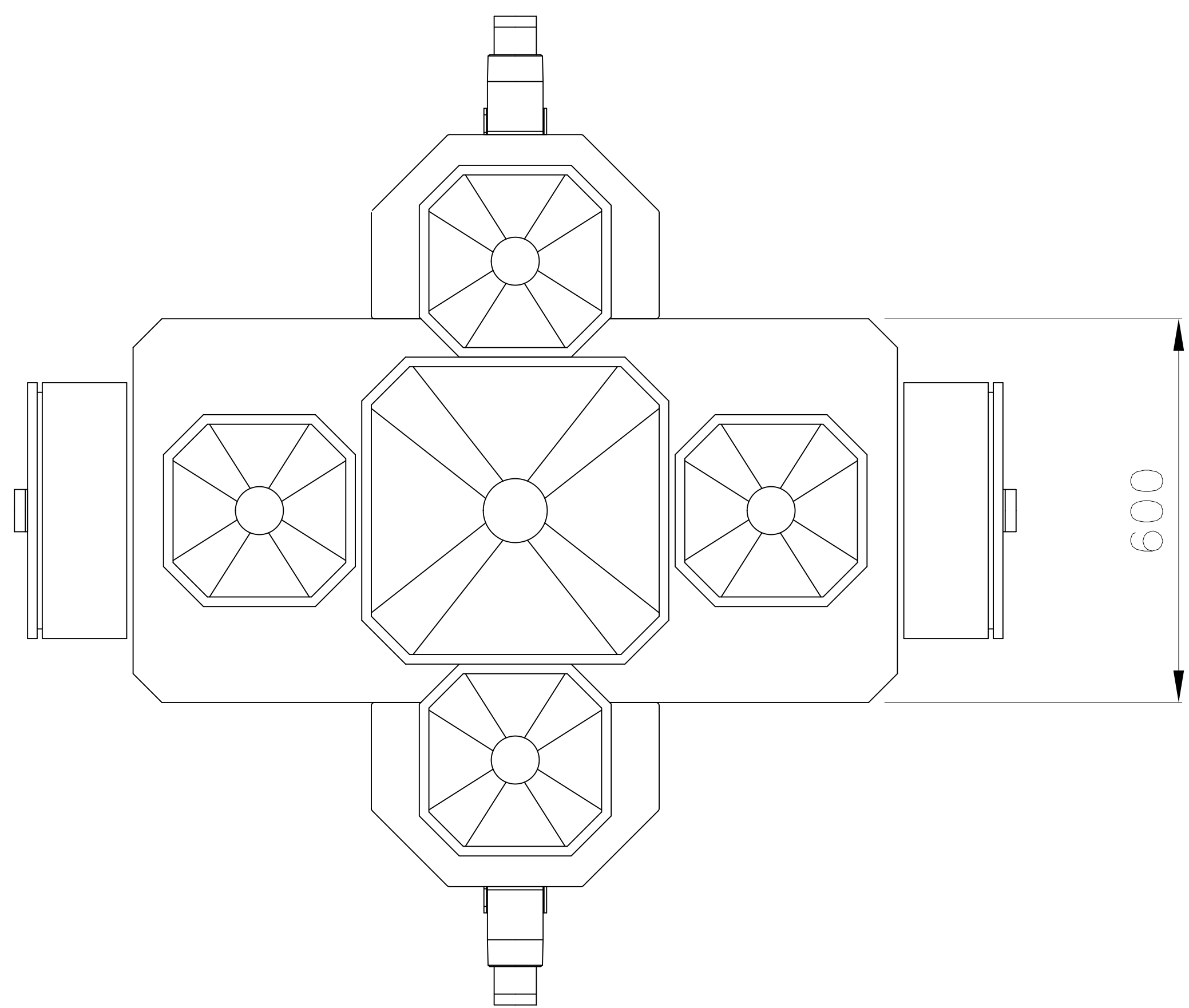
REVISIONS			
REV	DESCRIPTION	DATE	APPROVED



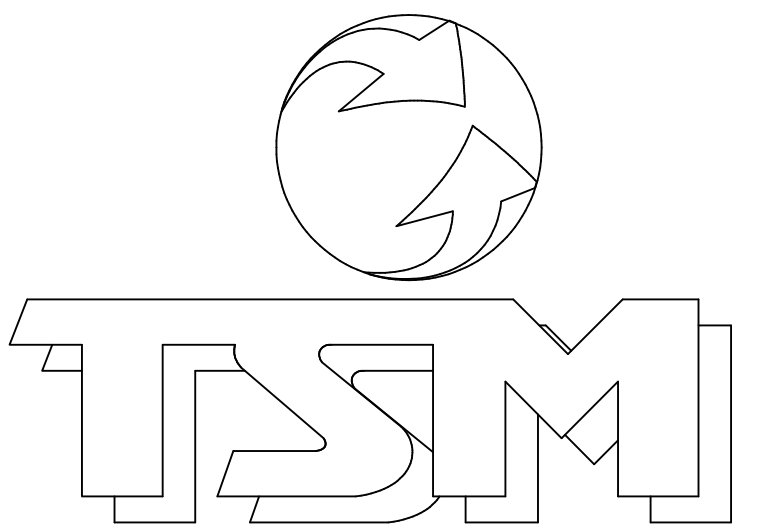
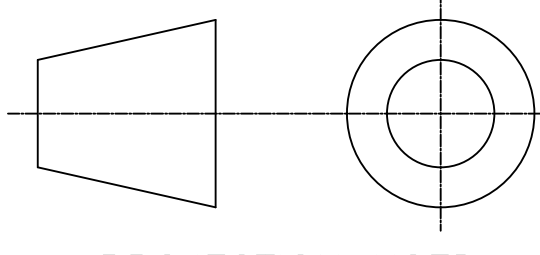
ELEVATION



END ELEVATION



PLAN

 <p>TSM Control Systems</p>	<p>5 COMPONENT SIGBLEND 1000</p>		
	<p>INFORMATION SHOWN ON THIS DOCUMENT INCORPORATES PROPRIETARY RIGHTS AND IS NOT TO BE DUPLICATED WHOLLY OR PART WITHOUT THE EXPRESS PERMISSION OF T.S.M control systems TOTAL SIGMA MEASUREMENTS LTD.</p>		 <p>PROJECTION USED</p>
<p>UNLESS OTHERWISE SPECIFIED: DIMENSIONS ARE IN MM</p>	<p>LINEAR +/- 0.1</p>	<p>DATE:</p>	<p>DRAWN BY: NIALL MURPHY</p>
<p>DO NOT SCALE DRAWING</p>	<p>ANGULAR +/- 1°</p>	<p>MATERIAL:</p>	<p>REV A2</p>
<p>CHECKED BY:</p>	<p>DWG NO: 584</p>		<p>TSM STOCK REF NO:</p>

PATH: CAD / DRAWINGS / 1000